



**PEOPLE'S TELEVISION**  
P A R A S A B A Y A N

**People's Television Network, Inc**  
**Broadcast Complex, Visayas Avenue, Diliman, Quezon City 1100**  
**Telephone No. 3453-1097 /www.ptv.ph**

**BID BULLETIN NO. 2**

5 June 2020

SUPPLY, DELIVERY, TESTING AND COMMISSIONING OF SEVENTY-FIVE (75) PIECES OF ELECTROLYTIC CAPACITOR SPARE PARTS OF ANALOG TRANSMITTER FOR THE PEOPLES TELEVISION NETWORK, INC. (PTNI)

**ITB NO. 2020-0008**

In response to a query, this Addendum is issued to modify or amend the bidding documents. This shall form an integral part of the bidding documents.

QUERIES	RESPONSE
<ul style="list-style-type: none"><li>● In TECHNICAL<ul style="list-style-type: none"><li>●.1 Track Record Certifications</li></ul></li></ul> <p>1.1.3 <i>"Bidder's SLCC similar to the contact to be bid should be any supply, delivery, testing and commissioning of Electrolytic Capacitor for any transmitter spare parts. It should have been completed within the <b>last three (3) years</b>, provided that one of the SLCC submitted must be at least 50% of the ABC."</i></p> <p>We are humbly asking for your approval to amend the requirement from three (3) years to <b>five (5) years</b>. We seek for your understanding of the matter as we have been established local suppliers for major television (TV) networks such as GMA Network and RPN 9 or Radio Philippines Network.</p>	<p>We hereby approve the request of the bidder to accept 3 years to 5 years for Track Record Certification under 1.1.3</p>
<ul style="list-style-type: none"><li>● Section VI. Schedule Requirement. Delivery schedule: Thirty Calendar Days from Notice to proceed</li></ul> <p>May we also request Section VI schedule requirement delivery schedule from (30) Calendar days from notice to proceed to 45 – 60 days upon notice of proceed.</p>	<p>We hereby approve the request of the bidder to deliver all the capacitor spare parts within <b>45 days</b>.</p>



**PEOPLE'S TELEVISION**  
P A R A S A B A Y A N

**People's Television Network, Inc**  
**Broadcast Complex, Visayas Avenue, Diliman, Quezon City 1100**  
**Telephone No. 3453-1097 /www.ptv.ph**

---

Correction	
From	To
in Pg. 68 Section VII. Technical Specifications,  <i>"List of <del>One Hundred (100)</del> pieces of Electrolytic Capacitor Spare Parts of 60Kwatts Analog Transmitter with Detailed Technical Specifications"</i>	  <i>"List of <b>Seventy-five (75)</b> pieces of Electrolytic Capacitor Spare Parts of 60Kwatts Analog Transmitter with Detailed Technical Specifications"</i>



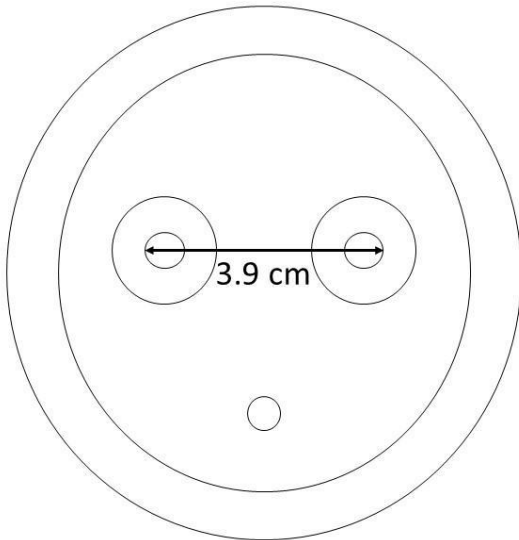
**PEOPLE'S TELEVISION**  
P A R A S A B A Y A N

People's Television Network, Inc  
Broadcast Complex, Visayas Avenue, Diliman, Quezon City 1100  
Telephone No. 3453-1097 /www.ptv.ph

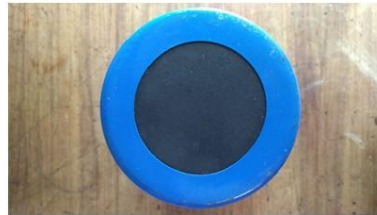
---

***PICTORIAL VIEW OF EXISTING ELECTROLYTIC CAPACITOR***

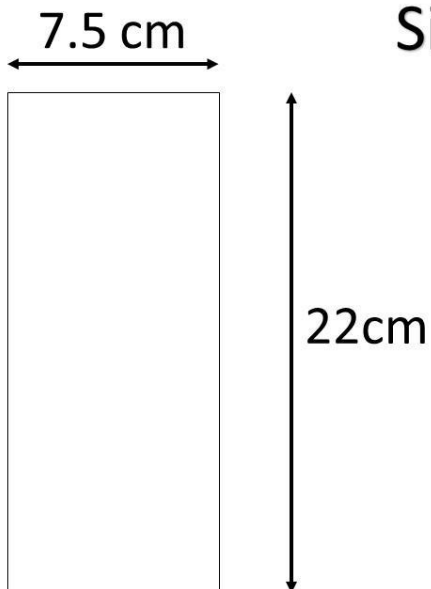
**Top View**



**Bottom View**



**Side View**



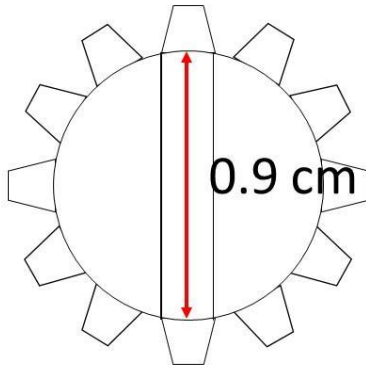


**PEOPLE'S TELEVISION**  
P A R A S A B A Y A N

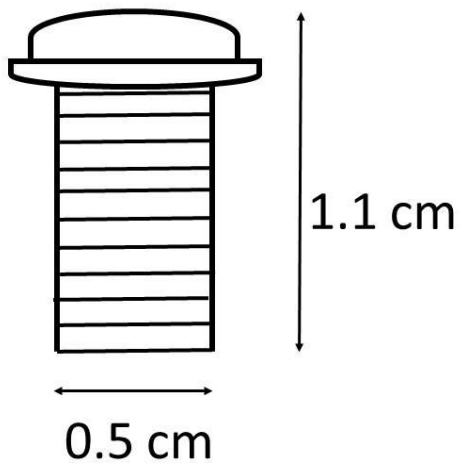
People's Television Network, Inc  
Broadcast Complex, Visayas Avenue, Diliman, Quezon City 1100  
Telephone No. 3453-1097 /www.ptv.ph

---

## Screw with Washer



## Screw with Washer





**PEOPLE'S TELEVISION**  
P A R A S A B A Y A N

**People's Television Network, Inc**  
**Broadcast Complex, Visayas Avenue, Diliman, Quezon City 1100**  
**Telephone No. 3453-1097 /www.ptv.ph**

### **GUIDELINES FOR NEW NORMAL IN PROCUREMENT**

To avoid transmission of COVID-19, the Bids and Awards Committee will observe strict health protocols at all times and as we shift to the new normal work guidelines, we will adapt new measures on procurement activities of the network.

**A. Purchasing of bid Documents**

A.1 The bidder/s must only have one (1) representative with health or medical certificate attesting that he or she is COVID free.

A.2 The cashier is available every Monday and Tuesday only.

A.3 Payments and transaction will be done at the entrance gate of PTNI only.

**B. Opening and Submission of Bids**

The BAC will still accept physical submission of bid tenders

B.1 The bidder/s must have submitted it on time with proper label or sealing.

B.2 The bidder/s must only have one (1) representative with health or medical certificate attesting that he or she is COVID free.

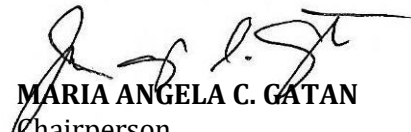
B.3 Health and safety protocols must be followed

- Everyone must observe social distancing at all times
- Bidder Representatives must wear a face mask.
- Bidder Representatives must practice proper sanitations inside PTV premises.

All other information in the Bidding Documents inconsistent with the above are hereby revised accordingly. All other provisions which are not affected shall remain in effect.

For further guidance and information of all concerned.

Thank you.

  
**MARIA ANGELA C. GATAN**  
Chairperson  
Bids and Awards Committee