



PEOPLE'S TELEVISION
P A R A S A B A Y A N

People's Television Network, Inc
Broadcast Complex, Visayas Avenue, Diliman, Quezon City 1100
Telephone No. 3453-1097 /www.ptv.ph

BID BULLETIN NO. 3

5 August 2020

Supply, Delivery, Design, and Retrofitting of the Quezon City TV Broadcast Transmitter Tower including Rehabilitation of Building/Transmitter Shelter, Grounding and Lightning Protection System and Installation of Digital Terrestrial Television (DTT) Antenna System for the People's Television Network, Inc.

ITB NO. 2020-0015

In response to queries, this Addendum is issued to modify or amend the bidding documents. This shall form an integral part of the bidding documents.

QUERIES	RESPONSE
<p>With regards to permits, such as “Electrical Permit”, who will get these documents from City Hall?</p> <p>Even the working permit?</p>	<p>The winning bidder/contractor.</p> <p>Upon the receipt of Notice to Proceed, the Procuring Entity will issue a working permit to work inside the Network's premises, and other than that, all permits required by the Government shall be taken care of the winning bidder/contractor.</p>
<p>With regards to the Safety Officer.</p> <p>We have an officer that is DOLE Accredited but doesn't have Construction Safety and Health Training (COSH), is that okay with you?</p> <p>On the other side, we have personnel that has COSH but doesn't have DOLE Accreditation. Is that requirement really necessary do we really need to comply with it?</p>	<p>In that case, both of these officers (the one with COSH and the one that is DOLE Accredited) is acceptable and should always be present during working hours.</p>



PEOPLE'S TELEVISION
P A R A S A B A Y A N

People's Television Network, Inc
Broadcast Complex, Visayas Avenue, Diliman, Quezon City 1100
Telephone No. 3453-1097 /www.ptv.ph

<p>May I ask if the Digital Terrestrial Transmitter (DTT) Antenna already exists?</p> <p>We need its design are you going to provide it?</p>	<p>Yes. It is here, ready for installation.</p> <p>The winning bidder will coordinate with RYMSA Engineers for the details of the installation, design, and the parameters of the antenna.</p> <p>Please take note that some components of the antenna for DTT or its 25% is already installed temporarily. You are required to install the full configuration of the antenna and this temporarily installed antenna should be included as a whole.</p>
<p>With regards to Site Inspection, is it really until July 30, 2020?</p> <p>Is there a chance that you may extend this for us to prepare the health certificate, Is Rapid test okay for you or do you need Swab Test?</p>	<p>Yes, please coordinate with Secretariat.</p> <p>Rapid Test is accepted.</p>
<p>Who will provide temporary power during construction?</p>	<p>The contractor will provide temporary power during construction.</p>
<p>Is PTNI will provide BOQ as a reference in costing.</p>	<p>The contractor will provide BOQ based on their inspection and evaluation.</p>
<p>How many panels of Digital Antennas are presently installed on the existing tower</p>	<p>It has two (2) bays and eight (8) panels.</p>



PEOPLE'S TELEVISION
P A R A S A B A Y A N

People's Television Network, Inc
Broadcast Complex, Visayas Avenue, Diliman, Quezon City 1100
Telephone No. 3453-1097 /www.ptv.ph

Additional Requirement/Information

With regards to the Existing Tower Groundings and Lighting Protection System stated in the Scope of Work, item 3.11, please take note that the contractor/supplier shall include the supply and replacement of defective tower lights and beacon lights.

please see Annex "A" for the drawings of the existing design and layout of the grounding system and lightning protection system.

All other information in the Bidding Documents inconsistent with the above is hereby revised accordingly. All other provisions which are not affected shall remain in effect.

For further guidance and information of all concerned.

Thank you.

ATTY. JASON SHAHEER H. SALENDAB
Chairperson
Bids and Awards Committee



PEOPLE'S TELEVISION
P A R A S A B A Y A N

People's Television Network, Inc
Broadcast Complex, Visayas Avenue, Diliman, Quezon City 1100
Telephone No. 3453-1097 /www.ptv.ph

ANNEX "A"

PTV BROADCAST TRANSMITTER TOWER LIGHTNING PROTECTION SYSTEM & GROUNDING SYSTEM EXISTING DESIGN & LAYOUT



PEOPLE'S TELEVISION
P A R A S A B A Y A N

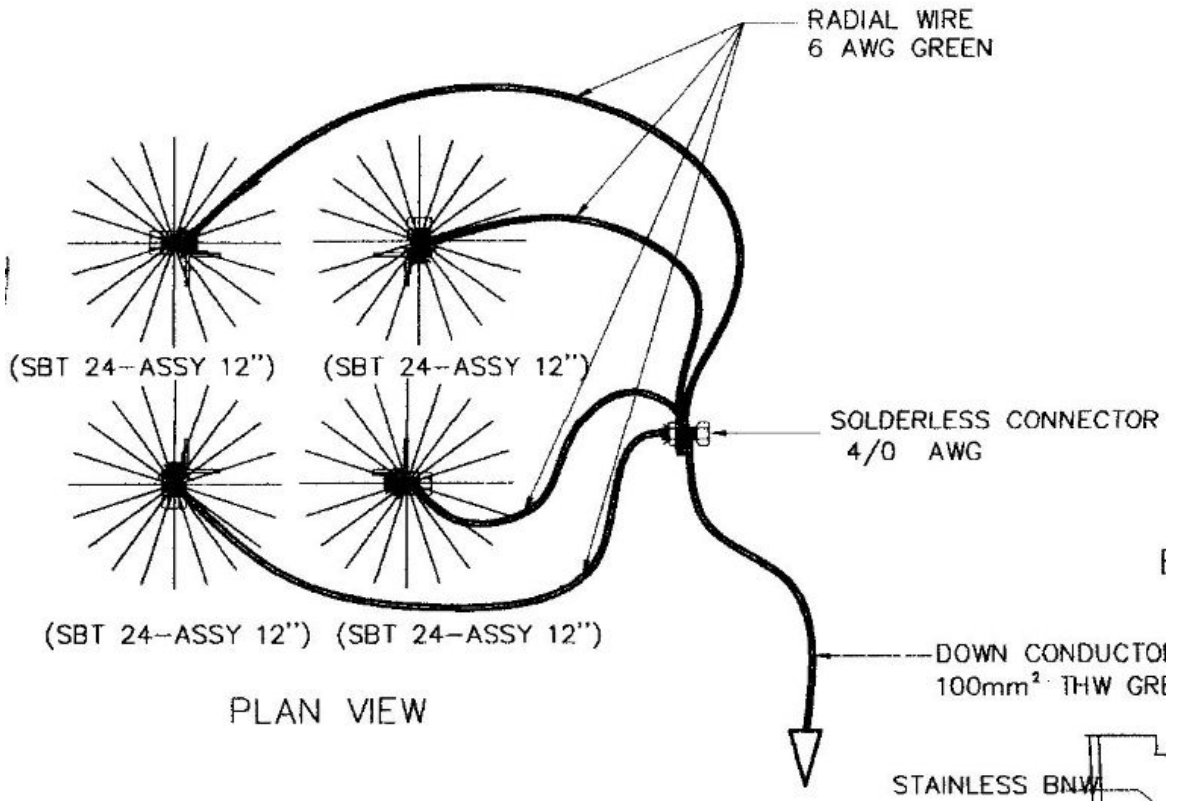
People's Television Network, Inc
Broadcast Complex, Visayas Avenue, Diliman, Quezon City 1100
Telephone No. 3453-1097 /www.ptv.ph



PEOPLE'S TELEVISION
P A R A S A B A Y A N

People's Television Network, Inc
Broadcast Complex, Visayas Avenue, Diliman, Quezon City 1100
Telephone No. 3453-1097 /www.ptv.ph

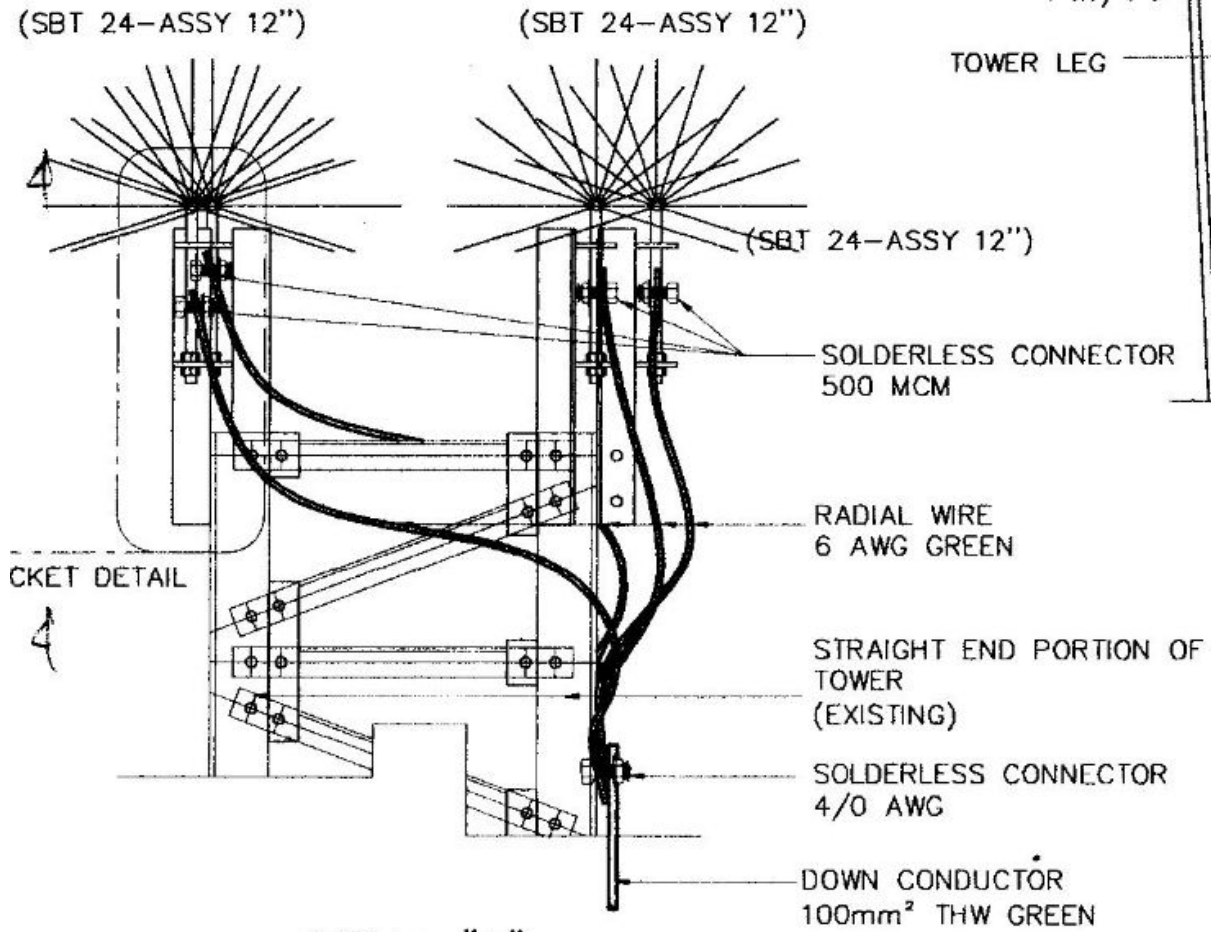
SPLINE BALL (SB) TERMINAL & ASSEMBLY





PEOPLE'S TELEVISION
P A R A S A B A Y A N

People's Television Network, Inc
Broadcast Complex, Visayas Avenue, Diliman, Quezon City 1100
Telephone No. 3453-1097 /www.ptv.ph

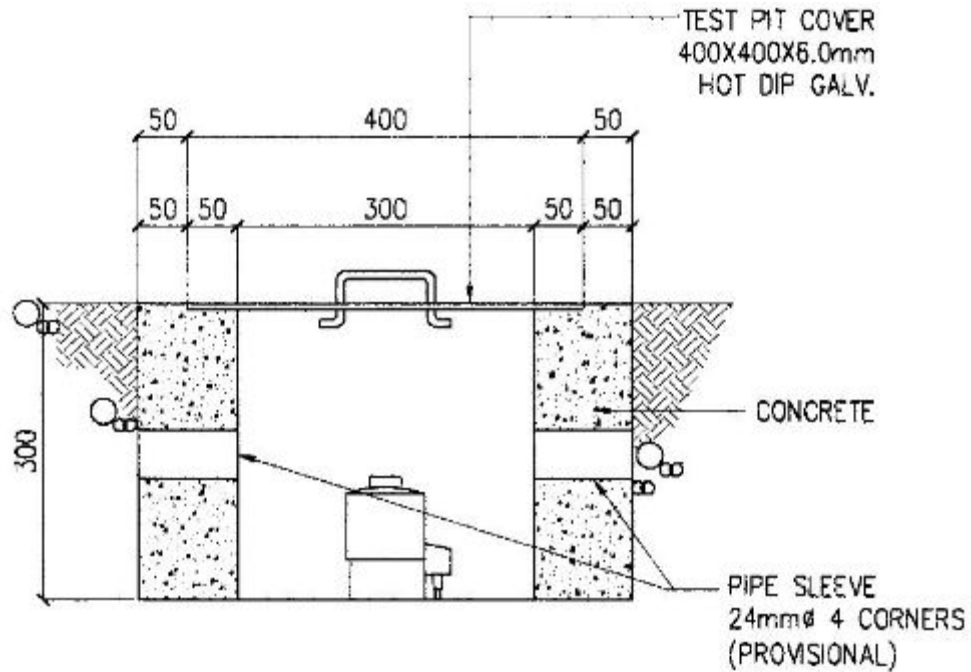


CHEM ROD CONCRETE GROUND WELL



PEOPLE'S TELEVISION
P A R A S A B A Y A N

People's Television Network, Inc
Broadcast Complex, Visayas Avenue, Diliman, Quezon City 1100
Telephone No. 3453-1097 /www.ptv.ph

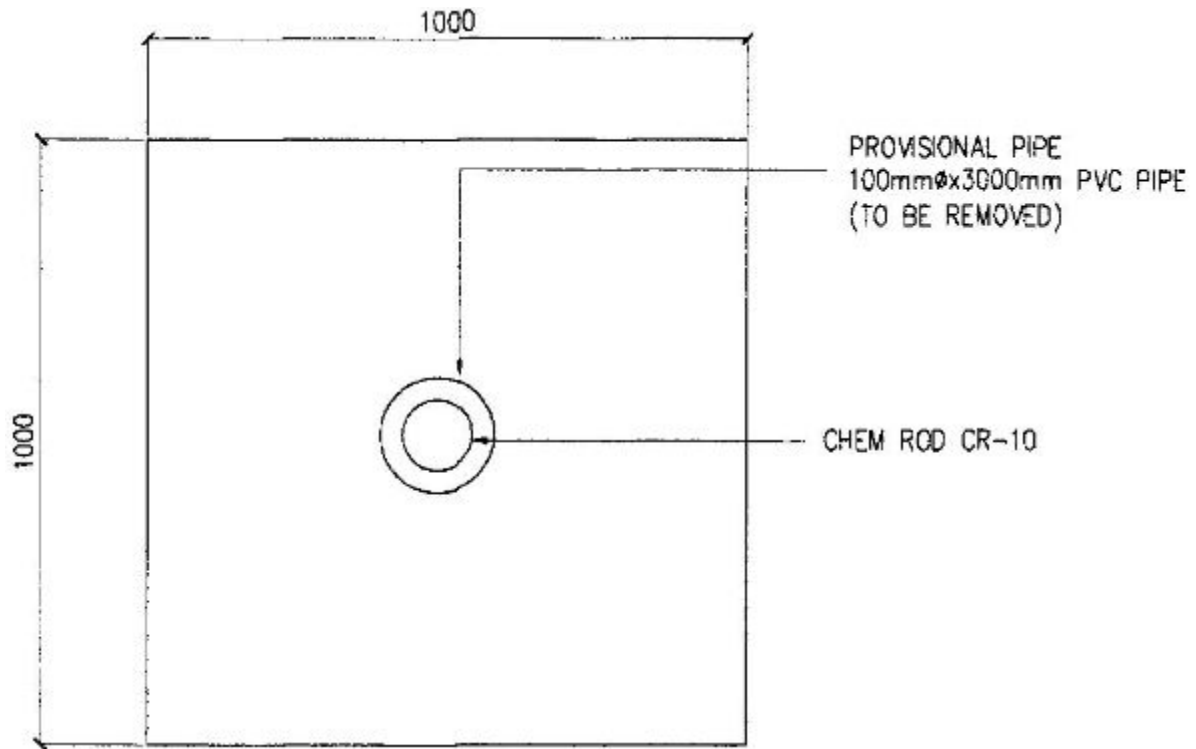


CONCRETE GROUND WELL



PEOPLE'S TELEVISION
P A R A S A B A Y A N

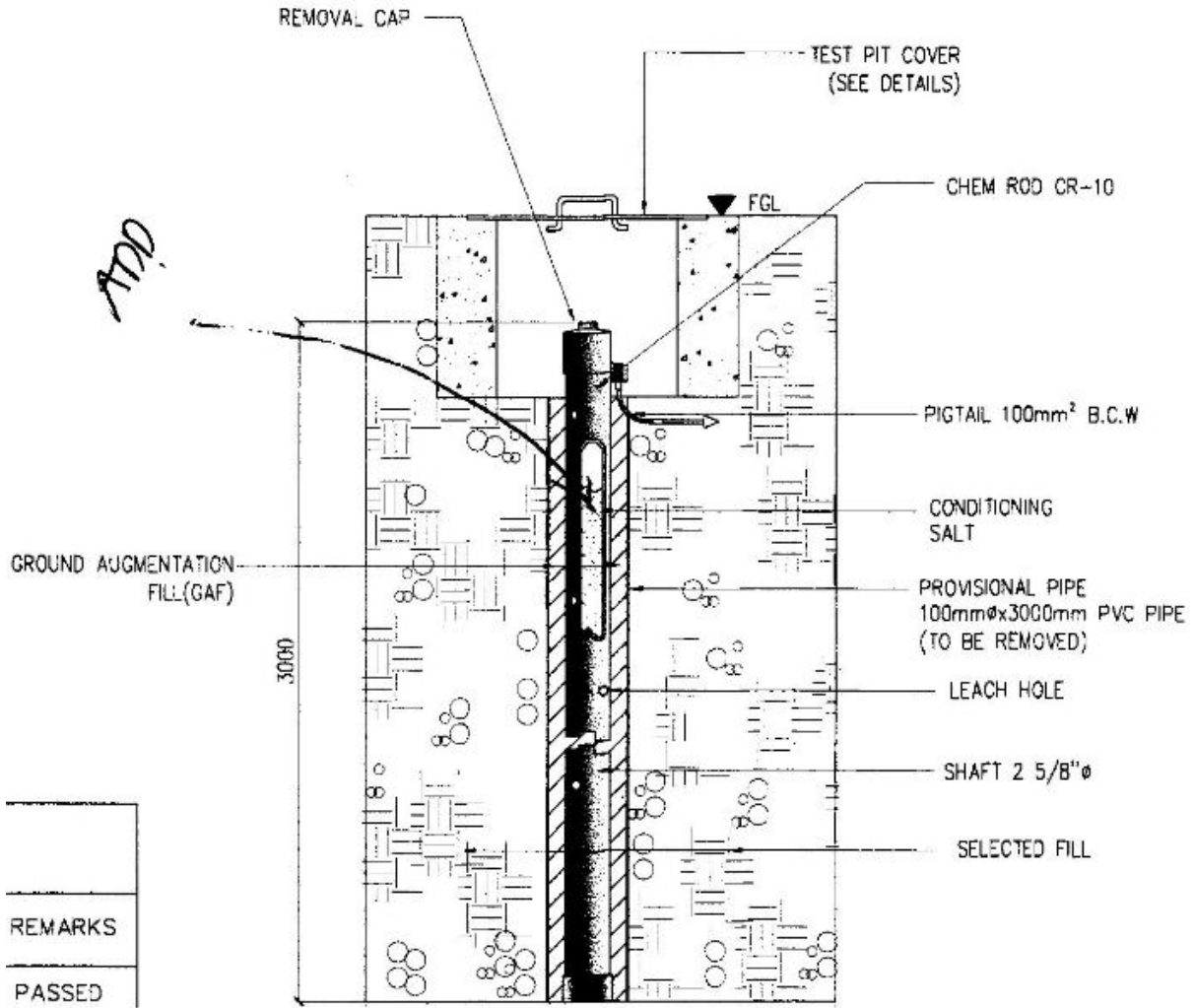
People's Television Network, Inc
Broadcast Complex, Visayas Avenue, Diliman, Quezon City 1100
Telephone No. 3453-1097 /www.ptv.ph





PEOPLE'S TELEVISION
P A R A S A B A Y A N

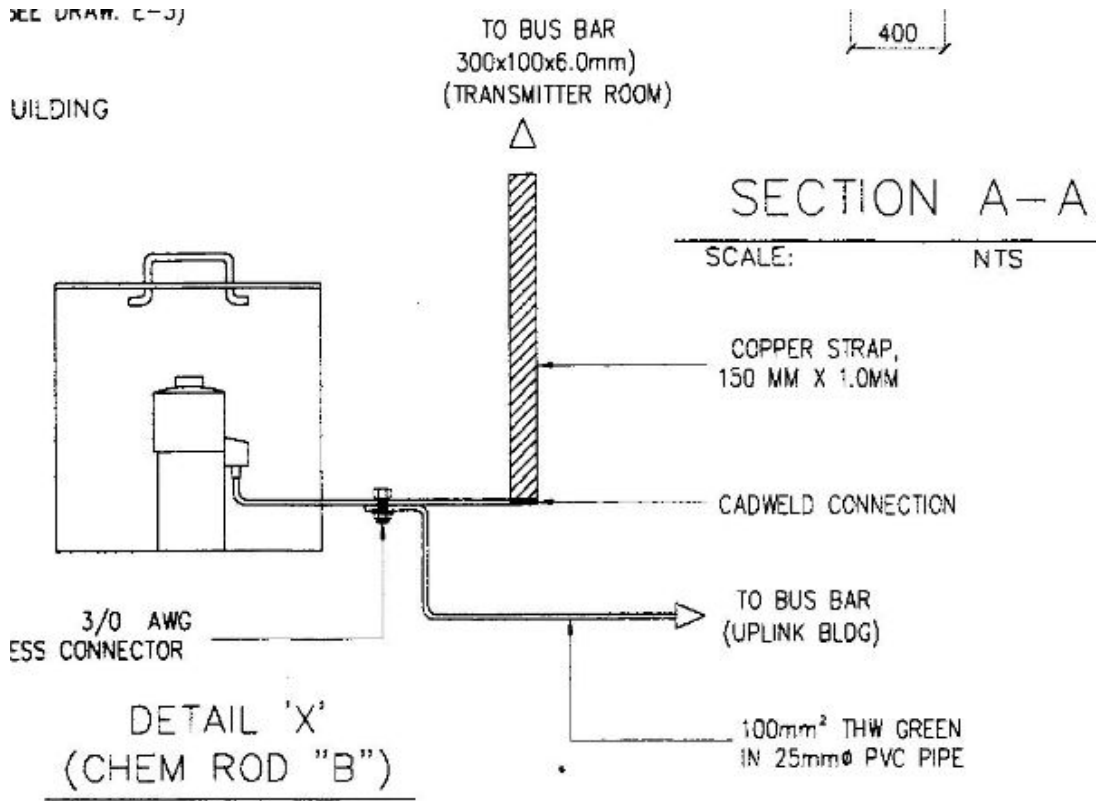
People's Television Network, Inc
Broadcast Complex, Visayas Avenue, Diliman, Quezon City 1100
Telephone No. 3453-1097 /www.ptv.ph





PEOPLE'S TELEVISION
P A R A S A B A Y A N

People's Television Network, Inc
Broadcast Complex, Visayas Avenue, Diliman, Quezon City 1100
Telephone No. 3453-1097 /www.ptv.ph



MICROWAVE EQUIPMENT EXISTING GROUNDING LAYOUT



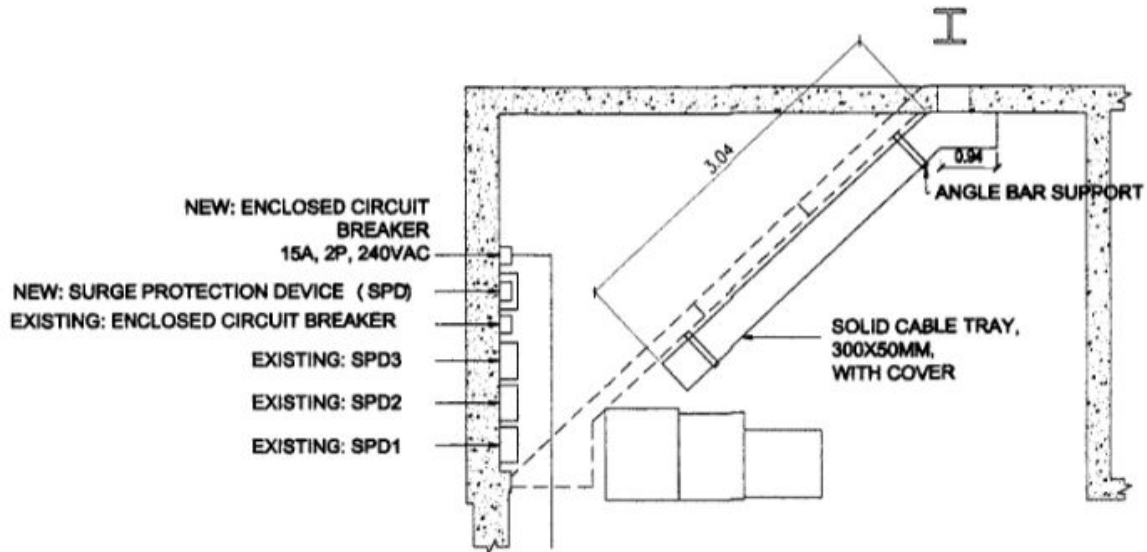
PEOPLE'S TELEVISION
P A R A S A B A Y A N

People's Television Network, Inc
Broadcast Complex, Visayas Avenue, Diliman, Quezon City 1100
Telephone No. 3453-1097 /www.ptv.ph

MICROWAVE GROUNDING LAYOUT

SCALE:

NTS

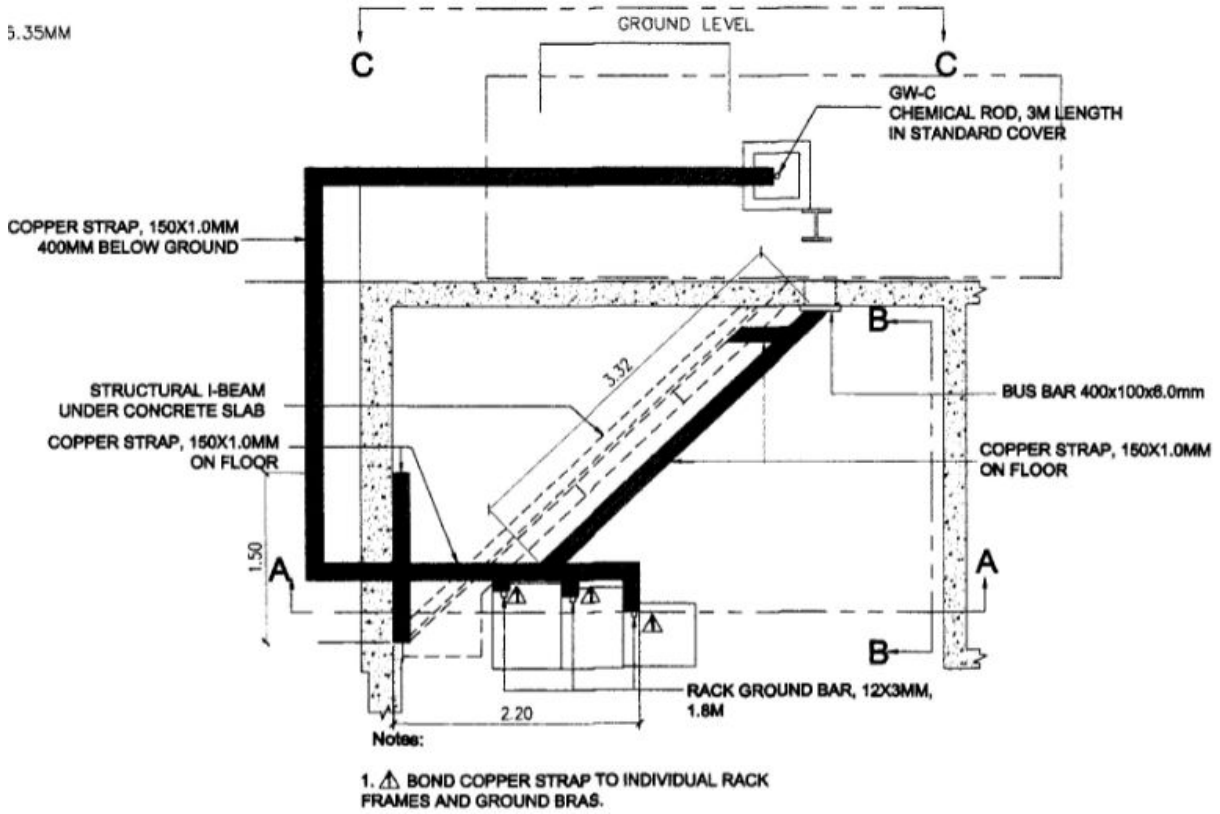


MICROWAVE EQUIPMENT LAYOUT



PEOPLE'S TELEVISION
P A R A S A B A Y A N

People's Television Network, Inc
Broadcast Complex, Visayas Avenue, Diliman, Quezon City 1100
Telephone No. 3453-1097 /www.ptv.ph

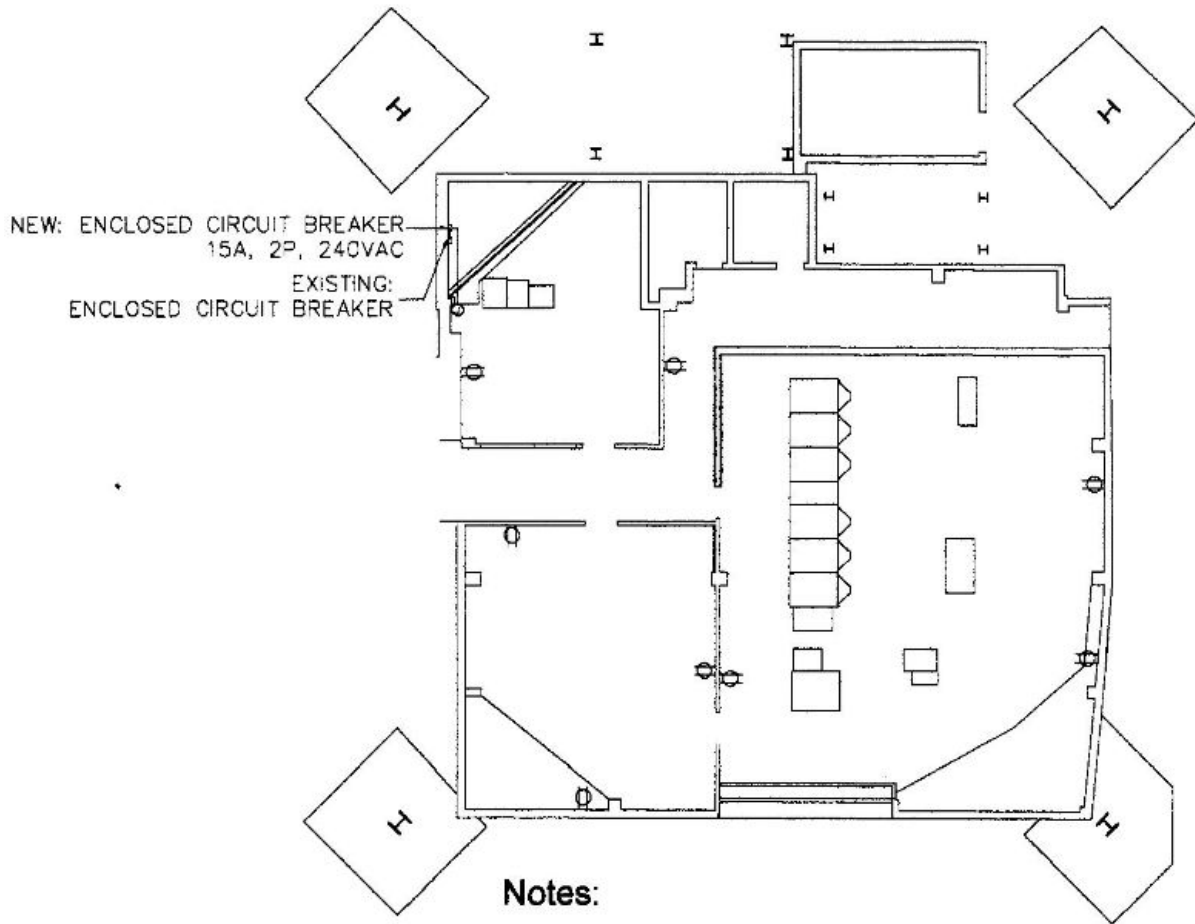


TRANSMITTER EXISTING POWER WIRING LAYOUT



PEOPLE'S TELEVISION
P A R A S A B A Y A N

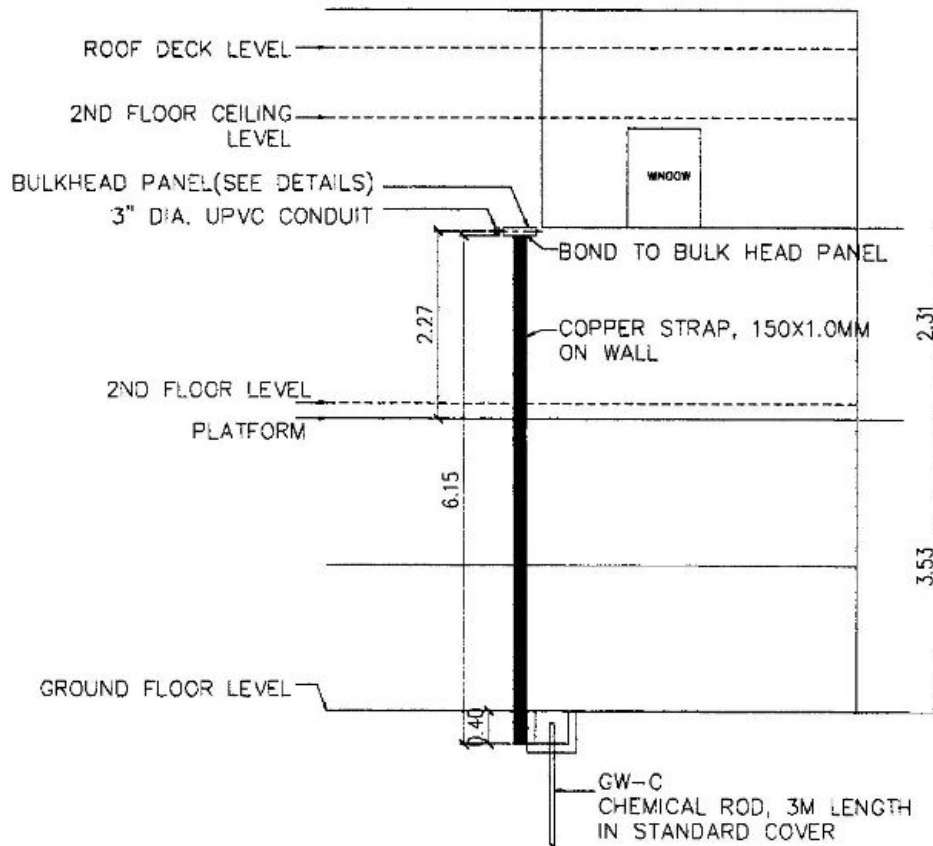
People's Television Network, Inc
Broadcast Complex, Visayas Avenue, Diliman, Quezon City 1100
Telephone No. 3453-1097 /www.ptv.ph





PEOPLE'S TELEVISION
P A R A S A B A Y A N

People's Television Network, Inc
Broadcast Complex, Visayas Avenue, Diliman, Quezon City 1100
Telephone No. 3453-1097 /www.ptv.ph

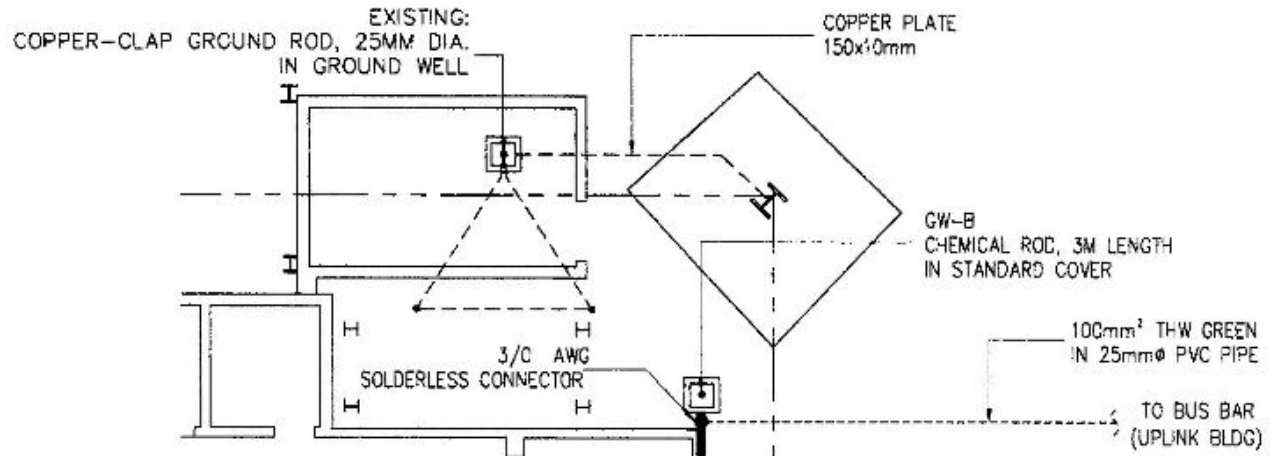


TRANSMITTER EXISTING GROUNDING LAYOUT



PEOPLE'S TELEVISION
P A R A S A B A Y A N

People's Television Network, Inc
Broadcast Complex, Visayas Avenue, Diliman, Quezon City 1100
Telephone No. 3453-1097 /www.ptv.ph





PEOPLE'S TELEVISION
P A R A S A B A Y A N

People's Television Network, Inc
Broadcast Complex, Visayas Avenue, Diliman, Quezon City 1100
Telephone No. 3453-1097 /www.ptv.ph

