



BID BULLETIN NO. 4
14 November 2024

Design, Supply, Delivery, Installation, Integration, Testing, Commissioning, and Training for One (1) Set Digital TV Transmission Equipment with Satellite Receiver and Antenna Systems for PTV Legazpi of the People's Television Network, Inc. (PTNI)
ITB No. 2024-0011

This bulletin is being issued to revise/clarify certain portions of the bidding documents. This shall form an integral part of the bidding documents for the above-stated project.

No	Additional Information
1	Tower Antenna Spine details (attached as Annex "A")

All other information in the Bidding Documents inconsistent with the above is hereby revised accordingly. All other provisions which are not affected shall remain in effect.

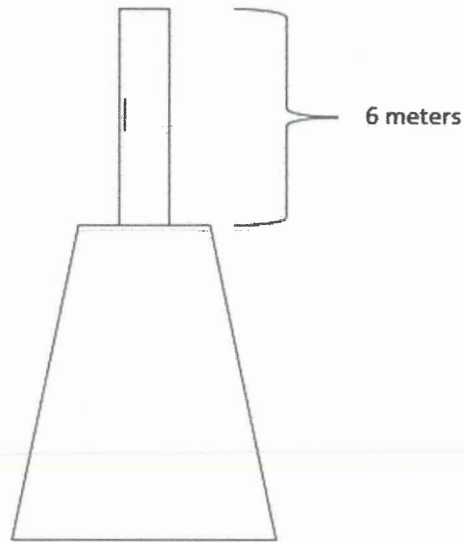
For further guidance and information of all concerned.

Thank you.


JASMINE B. BARRIOS
Chairperson, Bids and Awards Committee

Details of the Spine of the Tower

SIDE VIEW



TOP VIEW

